

**PLEASE CHECK WWW.MOLEX.COM FOR LATEST PART INFORMATION**

**Part Number:** [0533580440](#)  
**Status:** **Active**  
**Description:** 2.00mm (.049") Pitch Mi II™ Wire-to-Wire Adapter, 4 Circuits, Lead-free

**Documents:**

[3D Model](#) [Product Specification PS-53358-001 \(PDF\)](#)  
[Drawing \(PDF\)](#) [RoHS Certificate of Compliance \(PDF\)](#)  
[Product Specification PS-51090-003 \(PDF\)](#)

**Agency Certification**

CSA LR19980  
 UL E29179

**General**

Product Family Accessories  
 Series [53358](#)  
 Comments For Panel Mounting  
 Component Type Adapter  
 Product Name Mi II™

**Physical**

Circuits (Loaded) 4  
 Color - Resin Natural  
 Flammability 94V-0  
 Gender N/A  
 Lock to Mating Part Yes  
 Material - Metal Brass  
 Material - Plating Mating Tin  
 Material - Plating Termination Tin  
 Material - Resin Polyester  
 Number of Rows 1  
 Packaging Type Bag  
 Plating min: Mating (µin) 40  
 Plating min: Mating (µm) 1.00  
 Plating min: Termination (µin) 40  
 Plating min: Termination (µm) 1.00  
 Polarized to Mating Part Yes  
 Temperature Range - Operating -40°C to +105°C

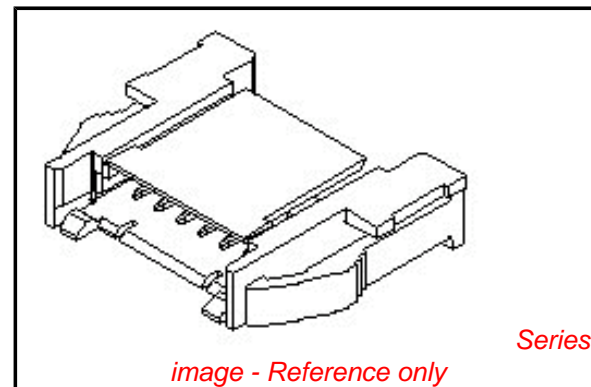
**Electrical**

Current - Maximum per Contact 2A

**Material Info**

**Reference - Drawing Numbers**

Product Specification PS-51090-003, PS-53358-001, RPS-53358-001  
 Sales Drawing SD-53358-001



*image - Reference only*

**EU RoHS**

**ELV and RoHS  
 Compliant**  
**REACH SVHC  
 Contains SVHC: No**  
**Halogen-Free  
 Status  
 Not Reviewed**

**China RoHS**



**Need more information on product  
 environmental compliance?**

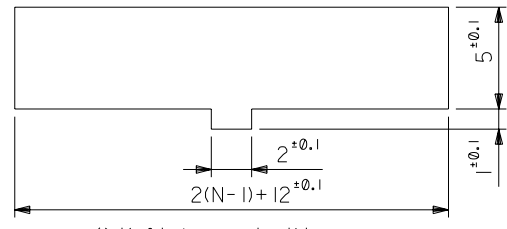
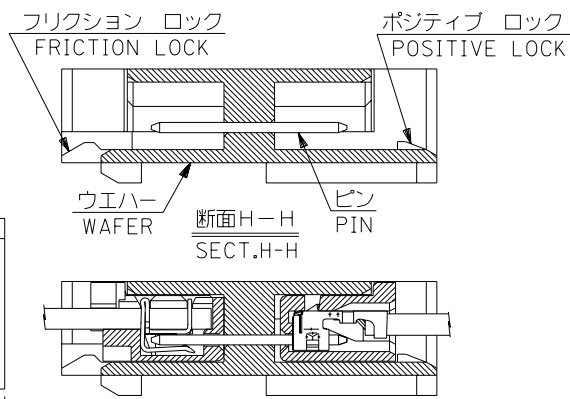
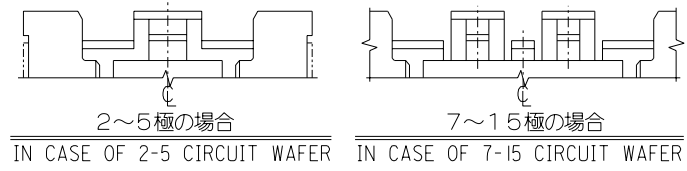
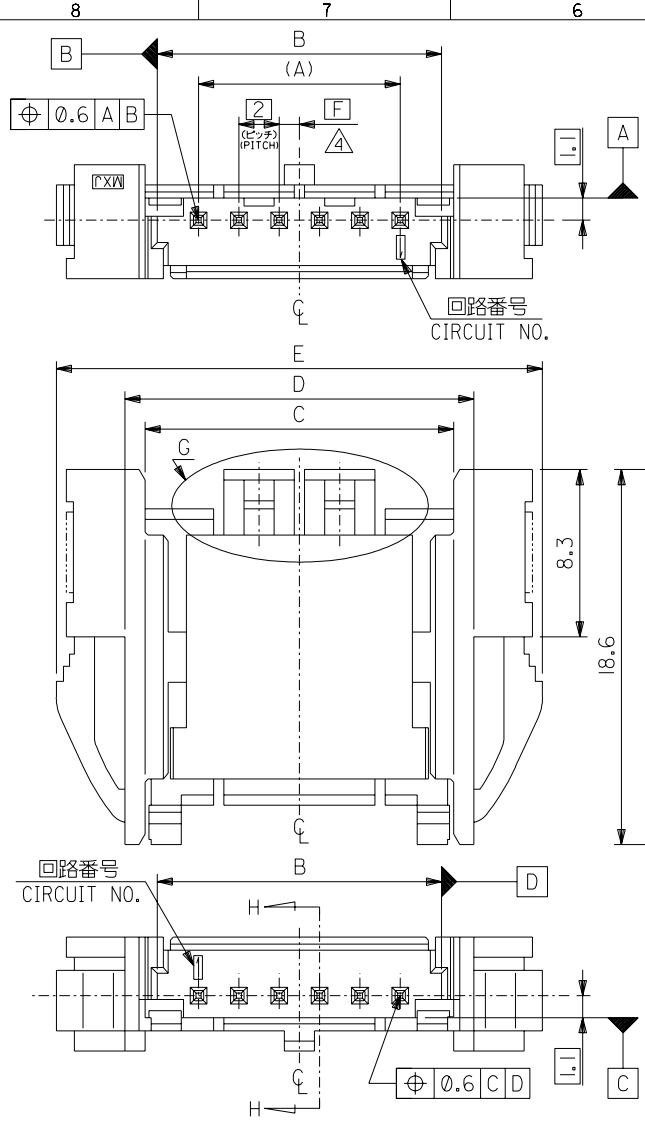
Email [productcompliance@molex.com](mailto:productcompliance@molex.com)  
 For a multiple part number RoHS Certificate of  
 Compliance, [click here](#)

Please visit the [Contact Us](#) section for any  
 non-product compliance questions.

**Search Parts in this Series**  
[53358Series](#)

**Use With**  
[51090 Crimp Housing](#), [52484 IDT Housing](#)

DWG. NO. SD-53358-001



参考パネルスロット寸法  
 PANEL SLOT DIM.(REF.)  
 (パネル厚: 0.8~2.0)  
 (THICKNESS : 0.8-2.0)

無鉛  
 LEAD FREE

注記  
 NOTES

- 材料 MATERIAL  
 ウエハー : PBT,UL94V-0  
 WAFER : PBT,UL94V-0  
 ピン : 黄銅, スズメッキ (0.05)  
 PIN : BRASS, TIN PLATED (0.5 SQUARE)
  - 適合圧着ハウジング : 51090-\*\*\*00  
 MATING CRIMP RECEPTACLE HOUSING: 51090-\*\*\*00
  - 適合圧接ハウジング : 52484-\*\*\*1  
 MATING IDT RECEPTACLE HOUSING: 52484-\*\*\*1
- △ B寸法の中心から、隣接するピンの中心までの位置を示す。  
 THIS DIMENSION SHOWS SPACING BETWEEN CENTER OF PIN AND CENTER OF B DIMENSION.
- 本図は、6極を示す。  
 6 CIRCUIT VERSION IS SHOWN IN THIS DRAWING.
  - ハウジングは、パネル打抜き側から挿入すること。  
 INSERT HOUSING FROM PUNCH SIDE OF PANEL.
  - 色  
 53358-\*\*\*40: 自然色 (WHITE)  
 53358-\*\*\*42: 赤色 (RED)  
 53358-\*\*\*43: 黄色 (YELLOW)  
 53358-\*\*\*44: 青色 (BLUE)

|   |      |      |      |      |    |            |      |
|---|------|------|------|------|----|------------|------|
| 2 | 42.1 | 35.3 | 33.3 | 32.1 | 28 | 53358-154* | 15   |
| 1 | 40.1 | 33.3 | 31.3 | 30.1 | 26 | -144*      | 14   |
| 2 | 38.1 | 31.3 | 29.3 | 28.1 | 24 | -134*      | 13   |
| 1 | 36.1 | 29.3 | 27.3 | 26.1 | 22 | -124*      | 12   |
| 2 | 34.1 | 27.3 | 25.3 | 24.1 | 20 | -114*      | 11   |
| 1 | 32.1 | 25.3 | 23.3 | 22.1 | 18 | -104*      | 10   |
| 2 | 30.1 | 23.3 | 21.3 | 20.1 | 16 | -094*      | 9    |
| 1 | 28.1 | 21.3 | 19.3 | 18.1 | 14 | -084*      | 8    |
| 2 | 26.1 | 19.3 | 17.3 | 16.1 | 12 | -074*      | 7    |
| 1 | 24.1 | 17.3 | 15.3 | 14.1 | 10 | -064*      | 6    |
| 2 | 22.1 | 15.3 | 13.3 | 12.1 | 8  | -054*      | 5    |
| 1 | 20.1 | 13.3 | 11.3 | 10.1 | 6  | -044*      | 4    |
| 2 | 18.1 | 11.3 | 9.3  | 8.1  | 4  | -034*      | 3    |
| 1 | 16.1 | 9.3  | 7.3  | 6.1  | 2  | 53358-024* | 2    |
| F | E    | D    | C    | B    | A  | ENG. NO.   | CKT. |

DO NOT SCALE DRAWING

|  |  |   |   |   |  |   |  |
|--|--|---|---|---|--|---|--|
| 図番 NO.<br>DRWN: CH'K: APPR:<br>図番 NO.<br>DRWN: CH'K: APPR:<br>図番 NO.<br>DRWN: CH'K: APPR:<br>図番 NO.<br>DRWN: CH'K: APPR: | 図番 NO. 42003-1394<br>DRWN: S.SHIBATA '02/11/21<br>CH'K: T.KANEKO '02/11/21<br>APPR: YO.ITO '02/11/21 | MATERIAL 材料<br>FINISH 仕上げ<br>WIRE RANGE 適用線径範囲<br>INS. RANGE 被覆外径 | GENERAL TOLERANCES: (UNLESS SPECIFIED) 一般公差<br>10 UNDER 未満 ±0.2<br>10 OVER 30 UNDER 未満 ±0.25<br>30 OVER 以上 ±0.3<br>ANGLE 角度 ±3° | SCALE 1:1<br>DESIGN UNITS 一般公差<br>DRAWN BY & DATE S.Shibata '02/11/21<br>CHECKED BY & DATE Y.Ito '02/11/21<br>APPROVED BY & DATE Y.Ito '02/11/21<br>CAD FILENAME SD-53358-001.DGN | DIMENSIONS: 2.0mm 0.1mm ONLY<br>SHT 2<br>REV ON CAD ONLY | TITLE: 2.0 WIRE TO WIRE CONN. PANEL MOUNT WAFER ASS'Y<br>MOLEX MOLEX INCORPORATED | MATERIAL NO. SEE CHART<br>DRAWING NO. SD-53358-001<br>SHEET NO. 1 OF 1 |
|  |  |   |   |   |  |   |  |